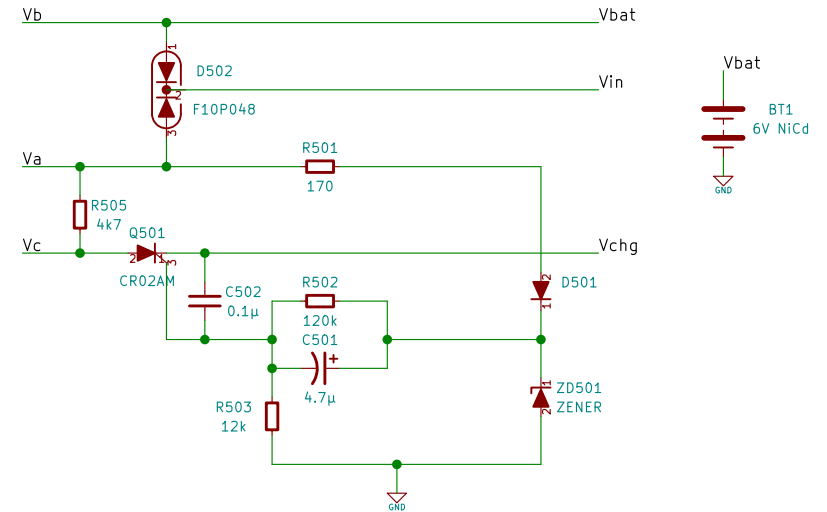
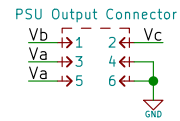


Observations (no load):
 Va = 8.63V
 Vb = 8.11V
 Vc = 7.35V



Output stage and input board

Title: Victor V86P PSU

Rev: 2

Sheet: /

Id: 1/1

M.London

Date: 2017-04-05